



MADE IN USA
WWW.XTECHTACTICAL.COM



XTECH[®]
TACTICAL



+3

**12 TO 15
MAGAZINE EXTENSION**

FITS:

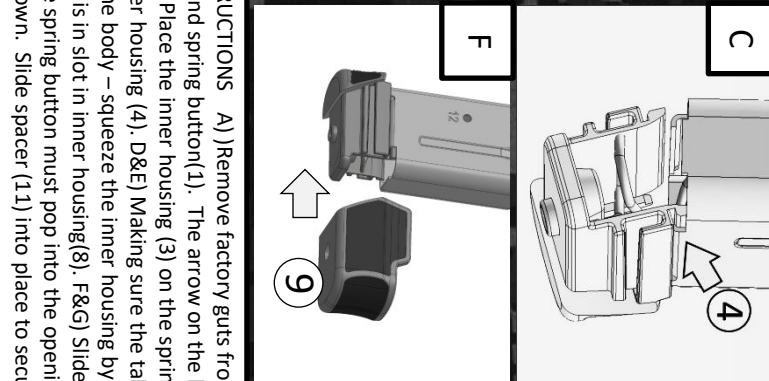
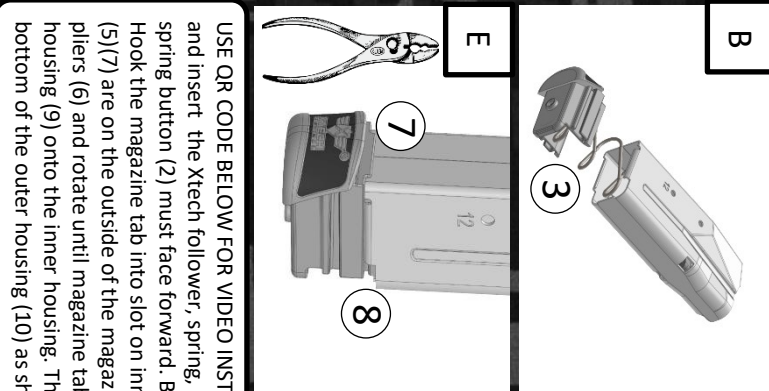
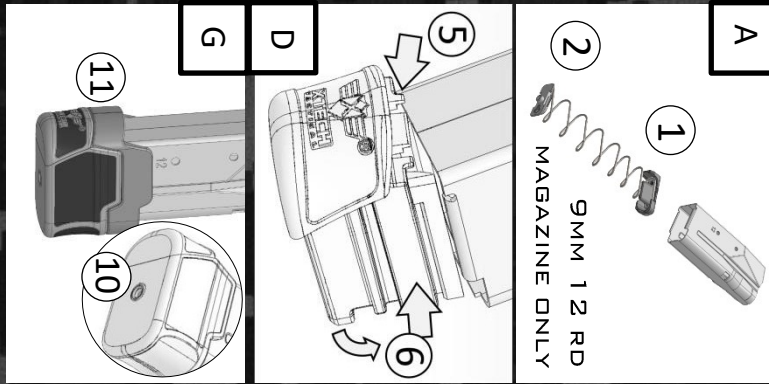
**SIG P365 12 RD MAG 9MM
STANDARD FRAME**



P365 MTX™

3 RD EXTENSION

FOR 12 RD 9MM MAG



USE QR CODE BELOW FOR VIDEO INSTRUCTIONS A) Remove factory guts from magazine and insert the Xtech follower, spring, and spring button(1). The arrow on the base of the spring button (2) must face forward. B) Place the inner housing (3) on the spring button. C) Hook the magazine tab into slot on inner housing (4). D&E) Making sure the tabs on the rear (5)(7) are on the outside of the magazine body – squeeze the inner housing by hand or with pliers (6) and rotate until magazine tab is in slot in inner housing(8). F&G) Slide the outer housing (9) onto the inner housing. The spring button must pop into the opening on the bottom of the outer housing (10) as shown. Slide spacer (11) into place to secure assembly.

INSTALL & LOAD VIDEO



XTT132-BLK-P365-12RD



8 56822 00782 2